



Leica

MZ16 and MZ16 A

Stereomicroscopes
Technical information

Leica
MICROSYSTEMS

Technical data

Performance characteristics



	Leica MZ16 (Patents filed)	Leica MZ16 A (Patents filed)
Optical data		
Zoom	16:1 manual	16:1 motorized
Data with standard optics (objective 1x/eyepieces 10x) – zoom range – resolution – working distance – field of view	7.1x–115x max. 420 Lp/mm 55 mm (planapochromatic), 60 mm (planachromatic) Ø 29.6 mm – 1.8 mm	7.1x–115x max. 420 Lp/mm 55 mm (planapochromatic), 60 mm (planachromatic) Ø 29.6 mm – 1.8 mm
Maximum values (according to optics combination) – magnification – resolution – visible structural width – numeric aperture – field of view	920x 840 Lp/mm 0.6 micron 0.14 Ø 57.5 mm	920x 840 Lp/mm 0.6 micron 0.14 Ø 57.5 mm
Working distances	135 mm (planachromatic 0.5x) 112 mm (planachromatic 0.8x) 97 mm (planapochromatic 0.63x) 19 mm (planapochromatic 1.6x) 15 mm (planapochromatic 2x)	135 mm (planachromatic 0.5x) 112 mm (planachromatic 0.8x) 97 mm (planapochromatic 0.63x) 19 mm (planapochromatic 1.6x) 15 mm (planapochromatic 2x)
Optics carrier		
100% apochromatic optics system	CMO (Common Main Objective) lead-free	CMO (Common Main Objective) lead-free
Specific surface resistance (housing)	2×10 ¹¹ ohms/square centimeter Discharge time <2 seconds from 1000 V to 100 V	2×10 ¹¹ ohms/square centimeter Discharge time <2 seconds from 1000 V to 100 V
Motor zoom		Controlled by touch pads, hand switch, foot pedal or PC
Digital display		Display of objective magnification, eyepiece magnification, total magnification, field of view and measurement values
Auto functions		– Calculates the total magnification, absolute or user-defined – Calibrates the measurements at zoom change
Ready to activate zoom click stops	12 for repetitive tasks	12 for repetitive tasks
Double-iris diaphragm for adjusting the depth of field	Built-in	Built-in
Optics carrier in the microscope carrier	Can be rotated by 360°	Can be rotated by 360°

FEATURES

FEATURES

	Leica MZ16	Leica MZ16 A
Accessories		
Standard objective	Planapochromatic 1×	Planapochromatic 1×
Additional objectives	Planapochromatic 2×, planapochromatic 1.6×, planapochromatic 0.63×, planachromatic 1×, planachromatic 0.8×, planachromatic 0.5×	Planapochromatic 2×, planapochromatic 1.6×, planapochromatic 0.63×, planachromatic 1×, planachromatic 0.8×, planachromatic 0.5×
Objective nosepiece for planapochromatic 1× and 2×	Quick change of magnification 7.1×–230×, parfocal	Quick change of magnification 7.1×–230×, parfocal
Binocular tubes, ergonomics	– Apochromatic ErgoTube™ 10°–50° with synchronous interpupillary distance adjustment – Various ergonomic accessories (optional)	– Apochromatic ErgoTube™ 10°–50° with synchronous interpupillary distance adjustment – Various ergonomic accessories (optional)
Interpupillary distance	55 mm – 75 mm	55 mm – 75 mm
Wide-field eyepieces for eyeglass wearers	10×, 16×, 25×, 40× with eyecups	10×, 16×, 25×, 40 × with eyecups
Manual coarse/fine focus	Focusing range 185 mm, adjustable ease of movement	Focusing range 185 mm, adjustable ease of movement
Microscope carrier AX for stereo or vertical observation	For convergence-free imaging (in preparation)	For convergence-free imaging (in preparation)
Motor focus	Control via hand switch, foot pedal or PC	Control via hand switch, foot pedal or PC
PC connection		Via RS232 interface

MODULARITY

Module system

MODULAR

Leica MZ16 and MZ16 A

Stands, illumination

Transmitted-light stands	For bright field, for bright and dark field, high-performance base bright field
Incident-light stand	With 300 mm or 500 mm column
Stands for large specimens	Swinging arm, universal and table-clamp stand
Stages	Gliding stage, Heating stages MATS, cup stage, polarization
Illumination	Fluorescence, oblique, coaxial, cold-light sources

Various accessories

Photography, video	– Leica DC digital imaging system, various camera versions – Leica IC A video module – Various adapters for commercially available CCD cameras – Leica MPS30 and MPS60 automatic cameras with databack – SLR camera system with databack
Image archiving, image processing	Leica Image Manager, QWin, QFish (CW4000), Materials Workstation
Measurement graticules	For length measurements and counting
Vertical and oblique observation	45° side view around the complete object
Drawing tube	For right-handed and left-handed operation
Discussion tube for training	For two viewers

Detailed information about optical accessories, binocular tubes, stands, illumination and additional accessory modules for various applications can be found in the brochure "Leica M Stereomicroscopes – The Modular System", M1-105-4en.

Optical data for Leica MZ16 & MZ16 A

Objectives		1× Planapochromatic 1× Planapochromatic		0.5× Planapochromatic		0.63× Planapochromatic		0.8× Planapochromatic		1.6× Planapochromatic		2× Planapochromatic	
Eyepieces	Magnification changer	Working distances in mm											
		60 Planapochromatic 55 Planapochromatic		135 Planapochromatic		97 Planapochromatic		112 Planapochromatic		19 Planapochromatic		15 Planapochromatic	
		Total magnification	Field of view diameter (mm)	Total magnification	Field of view diameter (mm)	Total magnification	Field of view diameter (mm)	DATA Total magnification	DATA Field of view diameter (mm)	DATA Total magnification	DATA Field of view diameter (mm)	Total magnification	Field of view diameter (mm)
10×/21B	0.71	7.1	29.6	3.5	59.1	4.5	47	5.7	37	11.4	18.5	14.2	14.8
	0.8	8	26.3	4	52.5	5.1	41.2	6.4	32.8	12.8	16.4	16	13.1
	1	10	21	5	42	6.4	32.8	8	26.3	16	13.1	20	10.5
	1.25	12.5	16.8	6.3	33.3	8	26.3	10	21	20	10.5	25	8.4
	1.6	16	13.1	8	26.3	10.2	20.6	12.8	16.4	25.6	8.2	32	6.6
	2	20	10.5	10	21	12.8	16.4	16	13.1	32	6.6	40	5.3
	2.5	25	8.4	12.5	16.8	16	13.1	20	10.5	40	5.3	50	4.2
	3.2	32	6.6	16	13.1	20.5	10.2	25.6	8.2	51.2	4.1	64	3.3
	4	40	5.3	20	10.5	25.6	8.2	32	6.6	64	3.3	80	2.6
	5	50	4.2	25	8.4	32	6.6	40	5.3	80	2.6	100	2.1
	6.3	63	3.3	31.5	6.7	40.3	5.2	50.4	4.2	100.8	2.1	126	1.7
8	80	2.6	40	5.3	51.2	4.1	64	3.3	128	1.6	160	1.3	
10	100	2.1	50	4.2	64	3.3	80	2.6	160	1.3	200	1.1	
11.5	115	1.8	57.5	3.7	72.5	2.9	92	2.2	184	1.1	230	0.9	
16×/14B	0.71	11.4	19.7	5.7	39.4	7.2	31.3	9.1	24.6	18.2	12.3	22.8	9.8
	0.8	12.8	17.5	6.4	35	8.2	27.3	10.2	22	20.5	10.9	25.6	8.8
	1	16	14	8	28	10.2	22	12.8	17.5	25.6	8.8	32	7
	1.25	20	11.2	10	22.4	12.8	17.5	16	14	32	7	40	5.6
	1.6	25.6	8.8	12.8	17.5	16.4	13.7	20.5	10.9	41	5.5	51.2	4.4
	2	32	7	16	14	20.5	10.9	25.6	8.8	51.2	4.4	64	3.5
	2.5	40	5.6	20	11.2	25.6	8.8	32	7	64	3.5	80	2.8
	3.2	51.2	4.4	25.6	8.8	32.8	6.8	41	5.5	81.9	2.7	102.4	2.2
	4	64	3.5	32	7	41	5.5	51.2	4.4	102.4	2.2	128	1.8
	5	80	2.8	40	5.6	51.2	4.4	64	3.5	128	1.8	160	1.4
	6.3	100.8	2.2	50.4	4.4	64.5	3.5	80.6	2.8	161.3	1.4	201.6	1.1
8	128	1.8	64	3.5	81.9	2.7	102.4	2.2	204.8	1.1	256	0.9	
10	160	1.4	80	2.8	102.4	2.2	128	1.8	256	0.9	320	0.7	
11.5	184	1.2	92	2.4	115.9	1.9	147.2	1.5	294.4	0.8	368	0.6	
25×/9.5B	0.71	17.7	13.4	8.9	26.8	11.1	21.2	14.2	16.7	28.3	8.4	35.4	6.7
	0.8	20	11.9	10	23.8	12.8	18.6	16	14.8	32	7.4	40	5.9
	1	25	9.5	12.5	19	16	14.8	20	11.9	40	5.9	50	4.8
	1.25	31.3	7.6	15.6	15.2	20	11.9	25	9.5	50	4.8	62.5	3.8
	1.6	40	5.9	20	11.9	25.6	9.3	32	7.4	64	3.7	80	3
	2	50	4.8	25	9.5	32	7.4	40	5.9	80	3	100	2.4
	2.5	62.5	3.8	31.3	7.6	40	5.9	50	4.8	100	2.4	125	1.9
	3.2	80	3	40	5.9	51.2	4.6	64	3.7	128	1.9	160	1.5
	4	100	2.4	50	4.8	64	3.7	80	3	160	1.5	200	1.2
	5	125	1.9	62.5	3.8	80	3	100	2.4	200	1.2	250	1
	6.3	157.5	1.5	78.8	3	100.8	2.4	126	1.9	252	0.9	315	0.8
8	200	1.2	100	2.4	128	1.9	160	1.5	320	0.7	400	0.6	
10	250	1	125	1.9	160	1.5	200	1.2	400	0.6	500	0.5	
11.5	287.5	0.8	143.8	1.7	181.1	1.3	230	1	460	0.5	575	0.4	
40×/6B	0.71	28.4	8.4	14.2	16.9	17.9	13.4	22.7	10.5	45.4	5.3	56.8	4.2
	0.8	32	7.5	16	15	20.5	11.7	25.6	9.4	51.2	4.7	64	3.8
	1	40	6	20	12	25.6	9.4	32	7.5	64	3.8	80	3
	1.25	50	4.8	25	9.6	32	7.5	40	6	80	3	100	2.4
	1.6	64	3.8	32	7.5	41	5.9	51.2	4.7	102.4	2.3	128	1.9
	2	80	3	40	6	51.2	4.7	64	3.8	128	1.9	160	1.5
	2.5	100	2.4	50	4.8	64	3.8	80	3	160	1.5	200	1.2
	3.2	128	1.9	64	3.8	81.9	2.9	102.4	2.3	204.8	1.2	256	0.9
	4	160	1.5	80	3	102.4	2.3	128	1.9	256	0.9	320	0.8
	5	200	1.2	100	2.4	128	1.9	160	1.5	320	0.8	400	0.6
	6.3	252	1	126	1.9	161.3	1.5	201.6	1.2	403.2	0.6	504	0.5
8	320	0.8	160	1.5	204.8	1.2	256	0.9	512	0.5	640	0.4	
10	400	0.6	200	1.2	256	0.9	320	0.8	640	0.4	800	0.3	
11.5	460	0.5	230	1	289.8	0.8	368	0.6	736	0.3	920	0.3	

Most important application sectors

Natural sciences	
Embryology	Medicine: obstetrics and gynecology Veterinary science: breeding
Physiology	Institutes of physiology
Pharmacology	Pharmaceutical research and industry laboratories for pharmacology
Anatomy	Departments of anatomy, histology and pathology at universities and hospitals Schools for medical science and veterinary medicine Pharmaceutical research institutes Cancer research institutes
Gene technology	Research institutes
Microbiology	Institutes and laboratories of microbiology at universities and hospitals Food industry
Botany	Institutes and museums of natural science Botanical gardens, herbariums
IVF	Hospitals, specialized medical practices
Industry	
Semiconductor	Quality control, production, process control Research and development
Microtechnology	Mask manufacturing Manufacturing integrated circuits Assembly of microchips
Material and resource development	Development and test laboratories Quality control
Plastic materials	Research and development Manufacturing plastic products Universities
Criminology	
General criminalistics, investigations, evidence and forensics	Laboratories, research and police departments

The high-performance Leica MZ16 and MZ16 A stereomicroscopes fulfill the most rigorous requirements in a variety of additional applications.

Leica Design
by Christophe Apothéloz



APPLICATION

Standard delivery

Optics carrier, microscope carrier

10 447 102	Leica MZ16 with 16:1 zoom
10 447 103	Leica MZ16 A with 16:1 motor zoom
10 447 163	Hand switch for MZ16 A
10 446 182	Foot pedal for MZ16 A
10 447 049	Cable
10 447 114	Microscope carrier for focusing drive
10 447 062	Microscope carrier AX with transfer to axial photography (in preparation)
	Motor focus see page 10

Optical accessories

10 447 157	Planapochromatic objective 1×
10 447 101	Planapochromatic objective 2×
10 446 231	Planapochromatic objective 1.6×
10 446 236	Planapochromatic objective 0.63×
10 445 819	Planachromatic objective 1×
10 446 157	Planachromatic objective 0.5×
10 447 075	Planachromatic objective 0.8×
10 447 107	Objective nosepiece
10 447 060	Stop
10 445 111	Wide-field eyepieces for eyeglass wearers 10×/21B, distortion-free, adjustable, with eyecup
10 445 301	Wide-field eyepieces for eyeglass wearers 16×/14B, distortion-free, adjustable, with eyecup
10 445 302	Wide-field eyepieces for eyeglass wearers 25×/9.5B, distortion-free, adjustable, with eyecup
10 445 303	Wide-field eyepieces for eyeglass wearers 40×/6B, distortion-free, adjustable, with eyecup
	* for 10 445 156, order spacer rings 10 446 300 and 10 446 393 and an achromatic objective.
10 445 156	Attachment for vertical/oblique observation™ for achromatic objective 1×
10 411 589	Achromatic objective 1×

Tubes, Ergo-modules

10 445 822	ErgoTube™ with variable viewing angle 10°–50°
10 445 619	Inclined binocular tube 45°
10 446 123	ErgoWedge™ 5°–25°
10 346 910	ErgoWedge™ ±15°
10 479 887	Discussion tube with carrier
10 446 193	Drawing tube

Incident-light stand, parts

10 445 631	Incident-light base, large, with black-and-white stage plate
10 447 106	Focusing drive, coarse/fine, with side-faced column 300 mm for incident/transmitted-light stands

Transmitted-light stand, parts

	* Complete transmitted-light bases 10 445 367 and 10 445 363 with a fiber-optic light guide (active f=10 mm, end tube f=13 mm) and a light source.
10 445 367	Transmitted-light base HL for highest demands, with mirror for vertical/oblique illumination, for fiber-optic light guide
10 446 184	Add-on condenser for TL base HL, for optimizing illumination at magnifications >100×
10 445 363	Transmitted-light base light/dark field with glass stage plate, clear, for fiber-optic light guide
10 445 387	Transmitted-light base light field 20 W, with mirror for vertical/oblique illumination, with glass stage plate, clear, two 6 V/20 W halogen bulbs and built-in 0–6 V 40 VA, 100–120 V/200–240 V regulating transformer
10 447 106	Focusing drive, coarse/fine, with side-faced column 300 mm for incident/transmitted-light stands

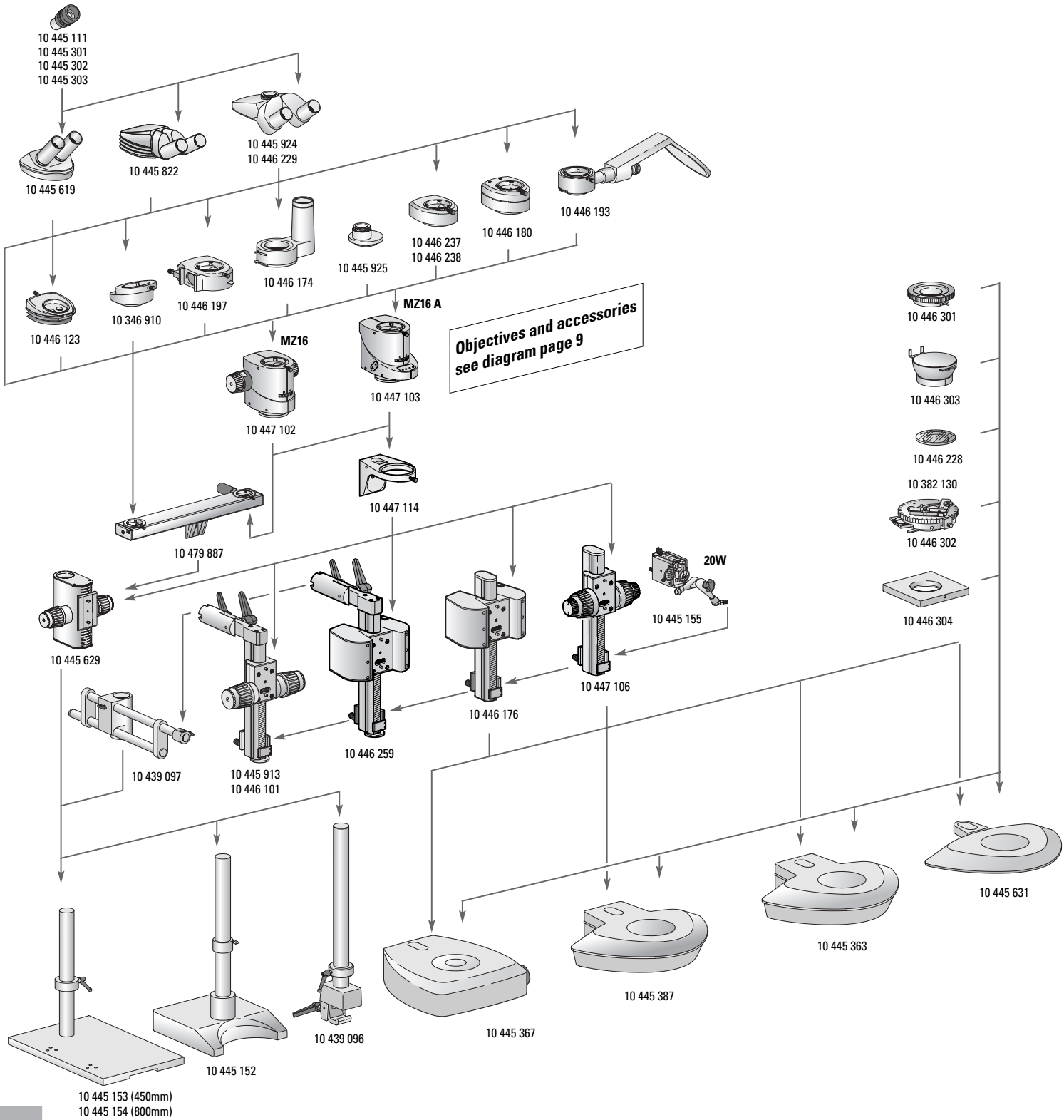
Swinging arm/table-clamp stand

10 445 152	Foot with column 550/50 mm
10 439 096	Stage clamp with column 550/50 mm
10 439 097	Horizontal arm
10 445 913	Focusing drive, coarse/fine, with tilting column for swinging arm/table-clamp stands
	Motor focus see page 10

Universal stand

10 445 153	Baseplate with column 450/50 mm
10 445 154	Baseplate with column 800/50 mm
10 445 629	Drive housing with coarse/fine drive for discussion tube or microscope carrier

Assembly diagram



Standard delivery

Illumination

Fluorescence module see page 10

10 447 182

10 376 119

Halogen lamp

10 445 155 6 V/20 W lamp with heat-absorbing filter, lamp holder, diffusing screen, two 6 V/20 W halogen lamps

10 394 771

10 376 122

10 395 195 Filter holder, 32 mm

10 376 120

10 399 202 Cast foot

10 398 408

10 395 200 Adapter for cast foot

10 310 345

10 447 060 Clamp on focusing drive

* Complete illumination 10 446 180 with a fiber-optic light guide (active f=10 mm, end tube f=13 mm) and a light source.

10 446 180 Coaxial incident light housing for fiber-optic light

Parts

10 447 158 Filter slide housing with 2 filter slides

10 445 924

10 362 658 Halogen bulb 6 V/20 W

10 446 229

10 445 312 Regulating transformer 0–7 V/40 VA, 100–120 V/200–240 V

10 446 197

10 280 636 Power cable, 2 m, 3-pole

10 445 174

10 445 661 Power cable, 2 m, with US power plug

10 446 194

10 445 662 Power cable, 2 m, with EURO power plug (PE)

10 445 925

10 445 663 Power cable, 2 m, with UK standard power plug

10 445 930

10 445 931

10 445 932

Stages

10 446 301 Gliding stage 120 mm

10 446 304 Universal carrier 120 mm

10 446 303 Cup stage 120 mm

Polarization

10 446 302 Rotating polarization stage 120 mm with polarizer and glass stage plate, clear

10 446 237

10 446 238

10 382 130 Attachable mechanical stage for rotating polarization stage

10 361 719 Sensitive-tint plate for rotating polarization stage

10 446 228 Glass stage plate with polarizer 120 mm for transmitted-light stands

10 367 929 Analyzer in rotating mount for planachromat and planapochromat

10 126 273

10 362 677

10 362 678

10 126 269

Measuring

Graticule for MZ16 A

Graticule with scale 12 mm:120 and crosshair

Graticule with scale 5 mm:100

Graticule with grid 100×1 mm

Crosshair graticule

Graticule, unlabeled, with mount

Stage micrometer, 50 mm scale with 0.1 mm and 0.01 mm graduation

Imaging, video

Detailed information about camera systems and assembly components in brochure M1-361-4en.

Video/photo tubes

Trinocular video/photo tube 50%

Trinocular video/photo tube 100%

Video/photo tube HD

Video/photo tube HU with built-in double-iris diaphragm

Video/photo tube HV with built-in double-iris diaphragm

Video/photo tube A

Video/photo objective 1× for video/photo tubes

Video/photo objective H for video/photo tubes

Eyepiece tubes for video/photo objectives and video/photo tubes

Video systems

Leica IC A video module with integrated CCD and camera control, PAL

Leica IC A video module with integrated CCD and camera control, NTSC

Leica digital camera systems see page 13

Leica image management software see brochure M1-522-0en

Dust covers

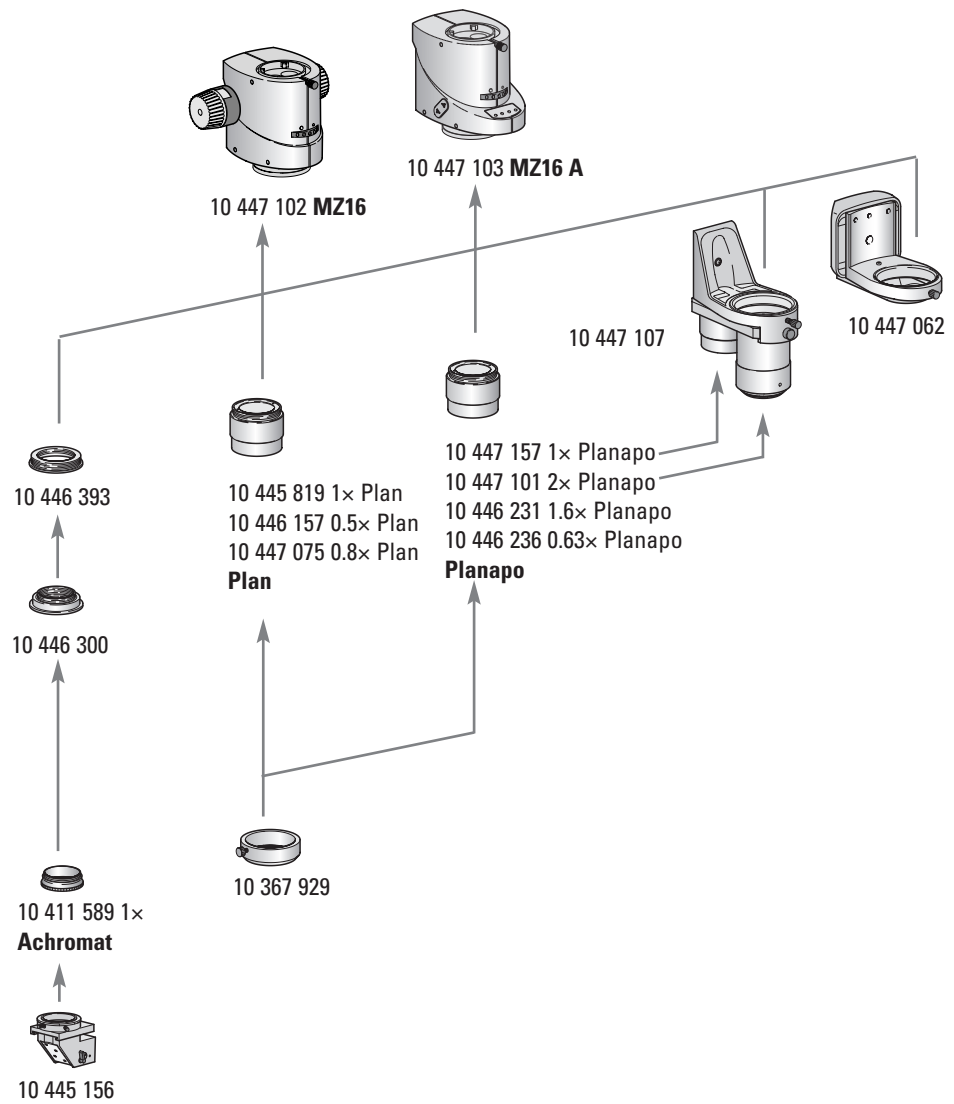
Dust cover

Dust cover for photo equipment and for universal stand (800 mm column)

Dust cover for discussion stereomicroscope, swinging arm and universal stand (450 mm column)

Dust cover for large swinging arm and table-clamp stand

Optics

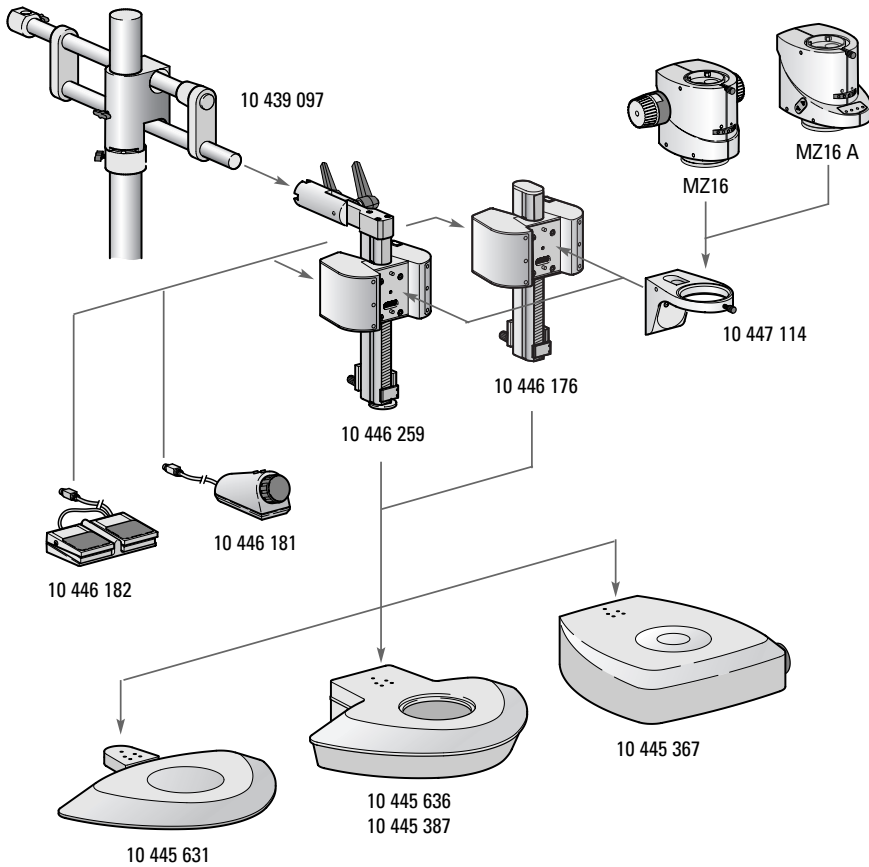


OPTICS

OPTICS

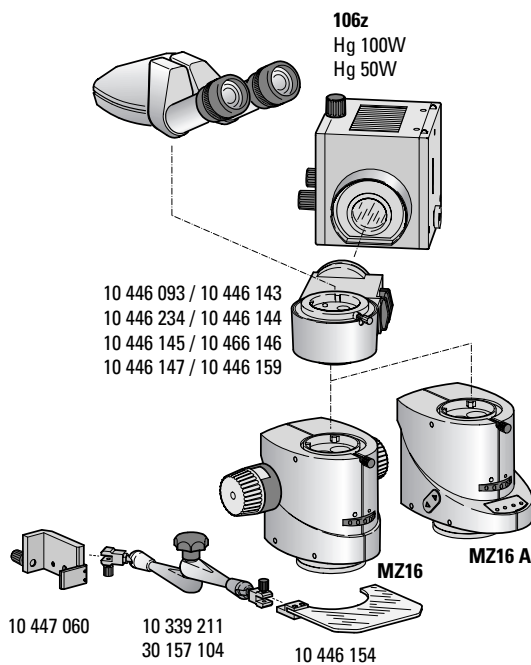
	Catalogue no.	Leica MZ16	Leica MZ16 A
Planapochromatic			
Planapochromatic 1x	10 447 157	C	C
Planapochromatic 2x	10 447 101	C	C
Planapochromatic 1.6x	10 446 231	C	C
Planapochromatic 0.63x	10 446 236	C	C
Planachromatic			
Planachromatic 1x	10 445 819	C	C
Planachromatic 0.8x	10 447 075	C	C
Planachromatic 0.5x	10 446 157	C	C
Accessories			
Coaxial incident light	10 445 108	C	C
Microscope carrier AX (in preparation)	10 447 062	C	C
Attachment vertical/oblique observation	10 445 156	CA (10 446 300) + (10 446 393)	CA (10 446 300) + (10 446 393)

C compatible
CA compatible with
spacer rings (must be
ordered separately)



Motor focus

- 10 446 176 MF drive with column and power supply for incident and transmitted-light bases
- 10 446 259 MF drive with tilting column and power supply for swinging arm/table-clamp stand
- 10 446 181 MF manual control
- 10 446 182 MF foot pedal
- 10 446 260 MF-PC interface kit for control of MF via PC



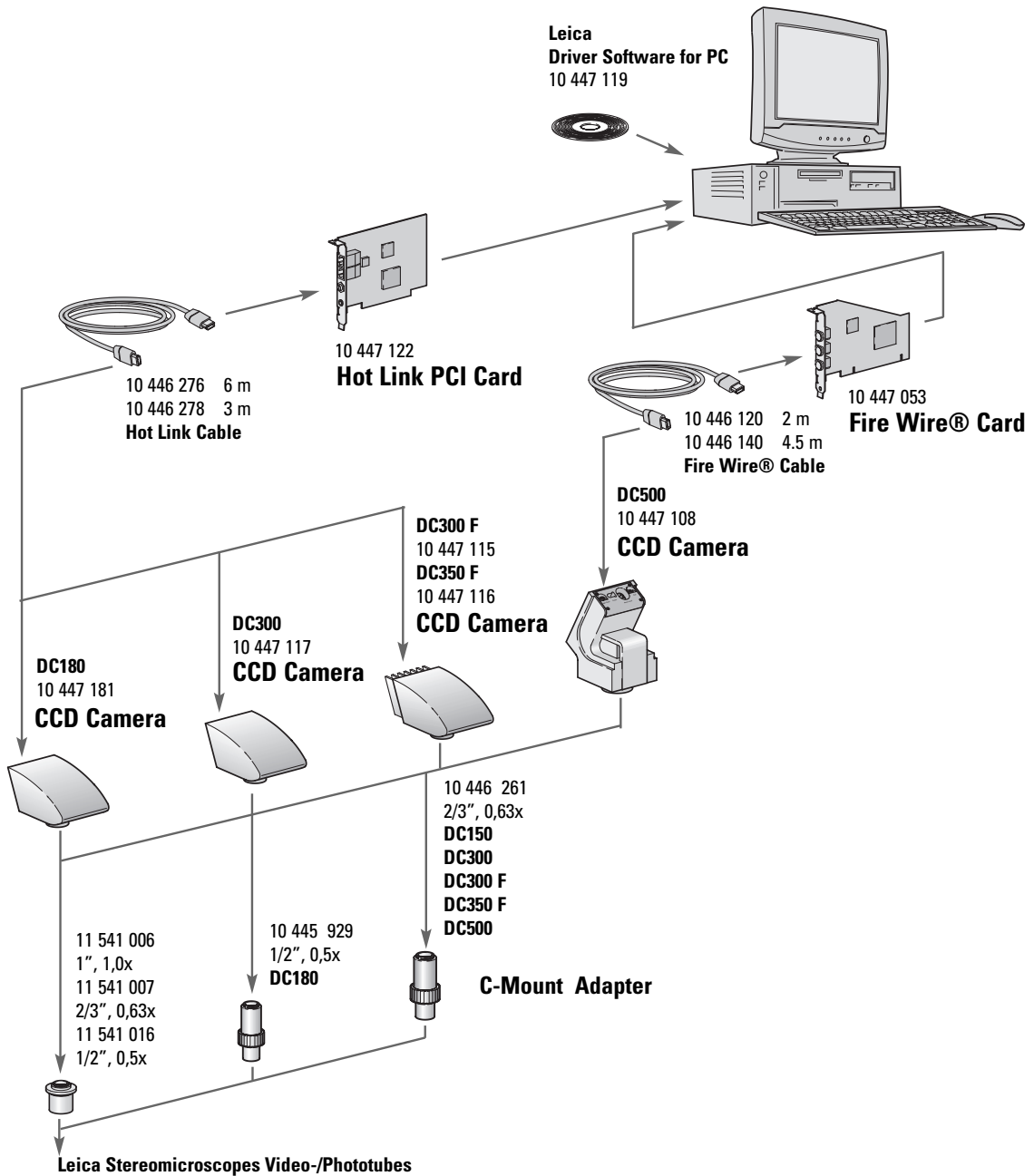
Fluorescence

- 10 446 093 Fluorescence module GFP
- 10 446 143 Fluorescence module GFP Plus
- 10 446 234 Fluorescence module GFP Plant
- 10 446 144 Fluorescence module UV
- 10 446 145 Fluorescence module Violet
- 10 446 146 Fluorescence module Blue
- 10 446 147 Fluorescence module Green
- 10 446 159 Fluorescence module without filter set
- 10 446 154 Glare protection
- 10 399 211 Arm for glare protection
- 30 157 104 Adapter for arm (10 399 211) at clamp
- 10 447 060 Clamp for arm
- 11 504 066 Lamp housing 106z, Hg 50 W
- 11 504 069 Lamp housing 106z, Hg 100 W

CAMERAS

CA

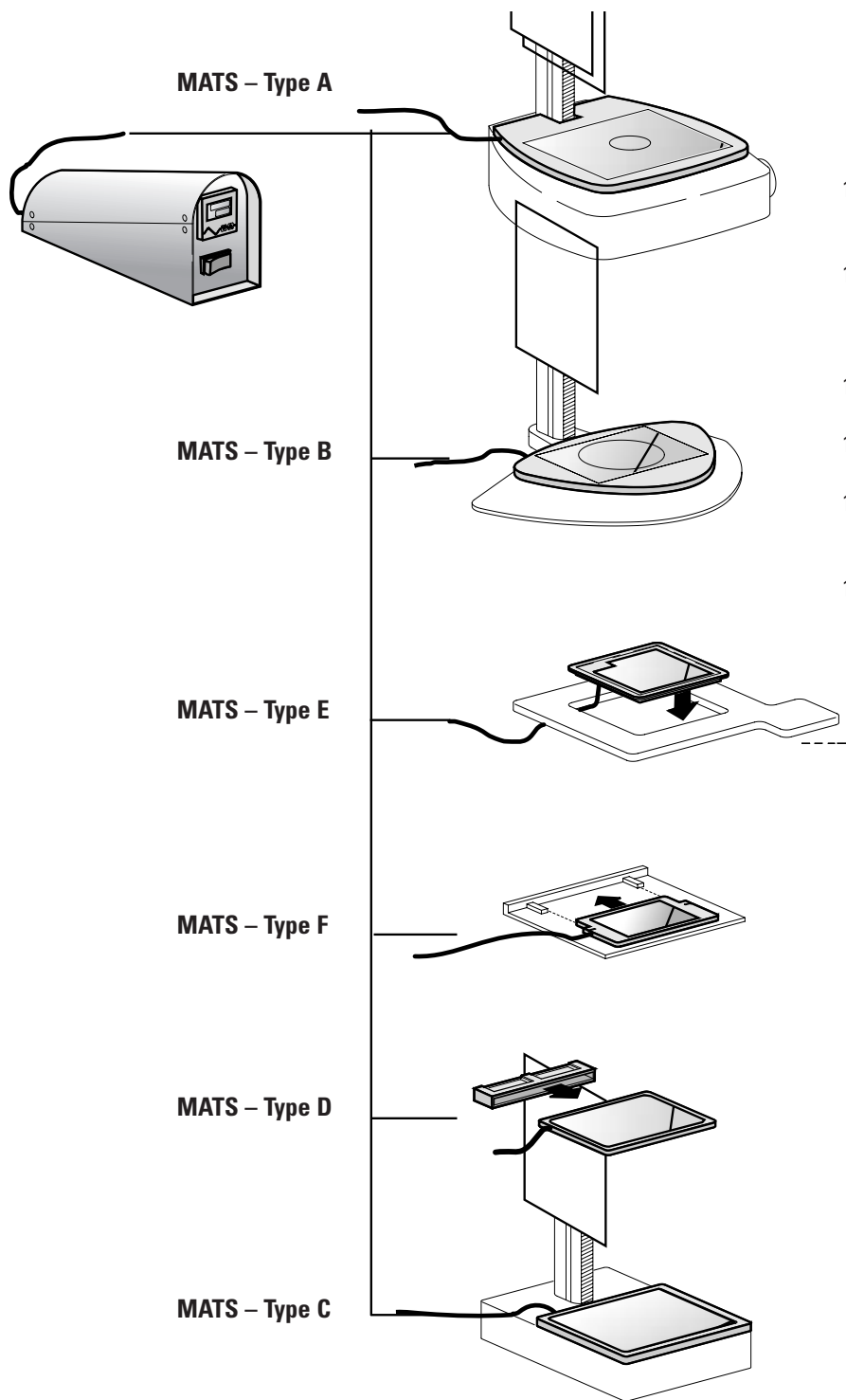
Digital camera systems



For additional digital camera systems see brochure M1-398-0en.

- 10 445 929 Video objective 0.5x with C-mount for 1/2" CCD cameras for video/photo tubes
- 10 446 261 Video objective 0.63x with C-mount for 2/3" CCD cameras for video/photo tubes
- 11 541 006 C-mount adapter 1x for 1" CCD cameras
- 11 541 007 C-mount adapter 0.63x for 2/3" CCD cameras
- 11 541 016 C-mount adapter 0.5x for 1/2" CCD cameras

MERAS



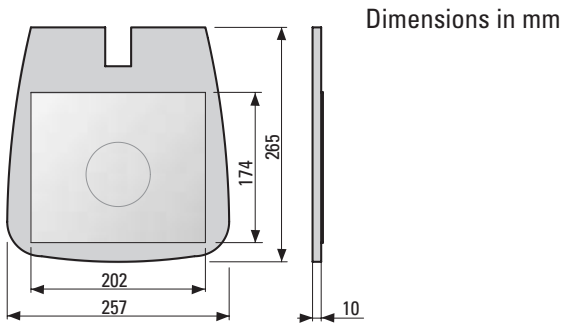
Heating stages Leica MATS

- 10 447 164 Heating stage MATS – Type A for Leica M stereomicroscopes with transmitted-light base HL
- 10 447 165 Heating stage MATS – Type B for Leica M stereomicroscopes with transmitted-light base (bright field/dark field)
- 10 447 166 Heating stage MATS – Type C standard
- 10 447 167 Heating stage MATS – Type D for upright microscopes, general
- 10 447 168 Heating stage MATS – Type E for inverted microscopes Leica DM IRB (3-plate x/y stage)
- 10 447 169 Heating stage MATS – Type F for inverted microscopes Leica DM IRB & DM IL

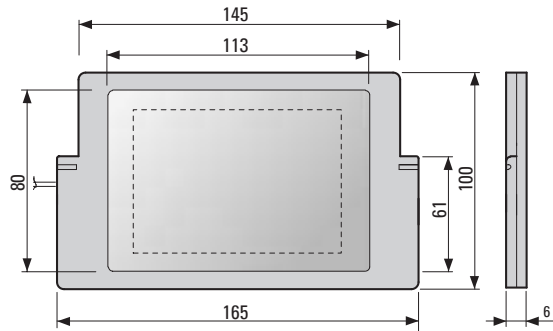
MATS
MAT

Dimensions of Leica MATS

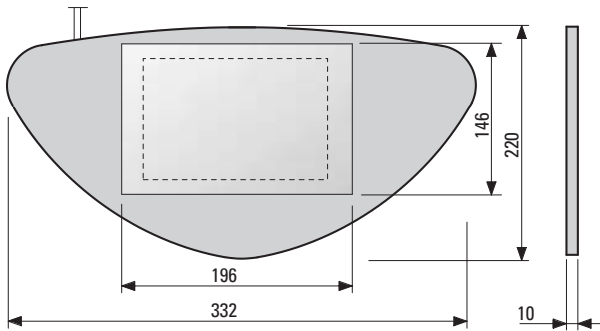
MATS – Type A



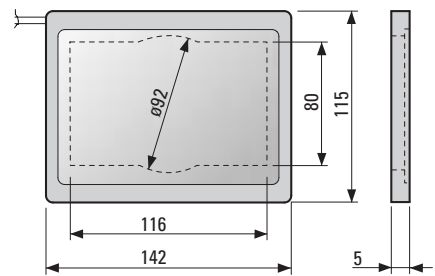
MATS – Type F



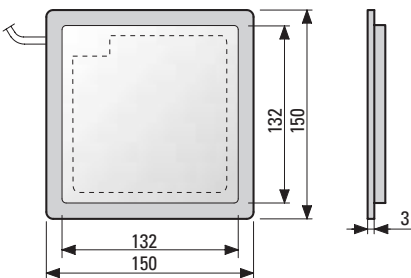
MATS – Type B



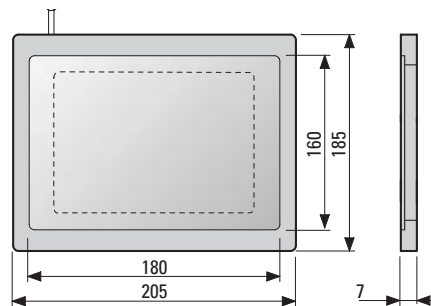
MATS – Type D



MATS – Type E

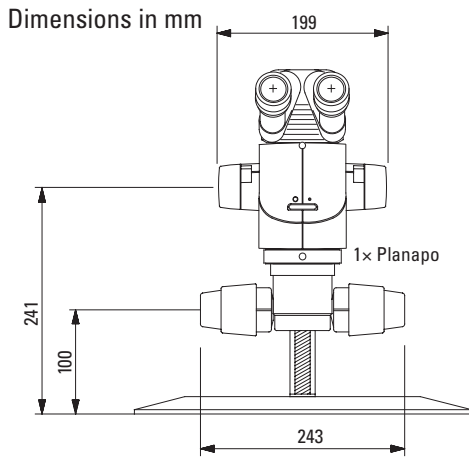


MATS – Type C

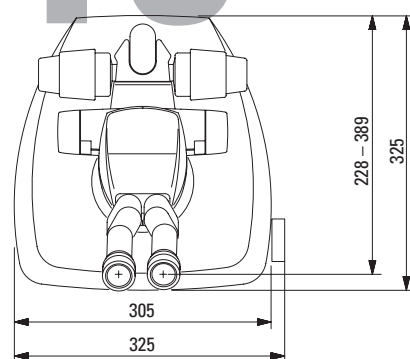
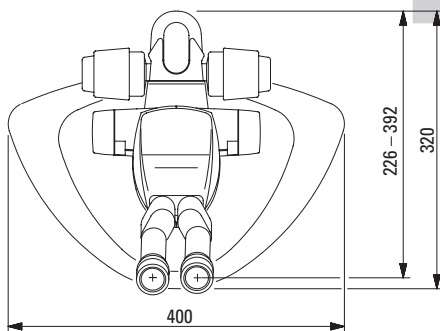
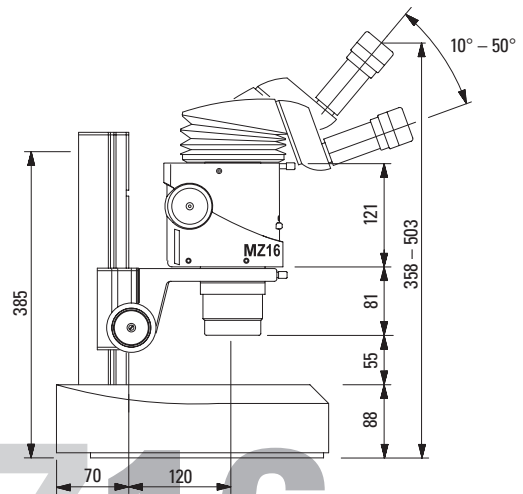
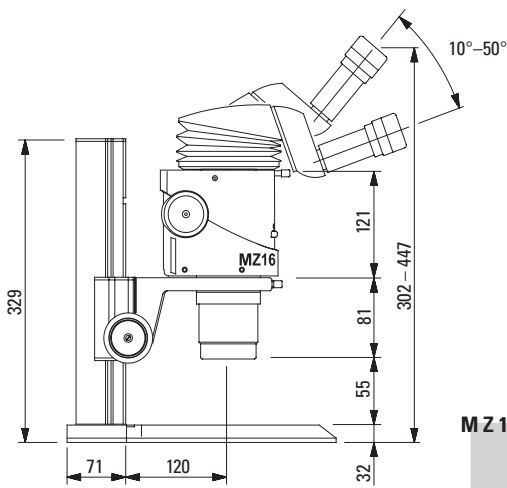
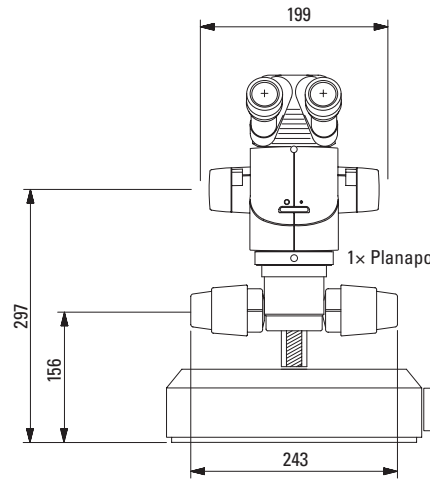


Dimensions of Leica MZ16

with incident-light stand

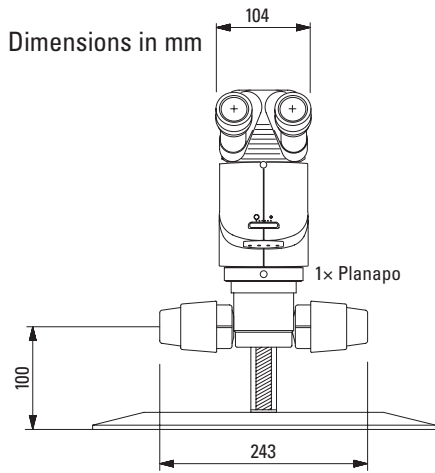


with transmitted-light stand



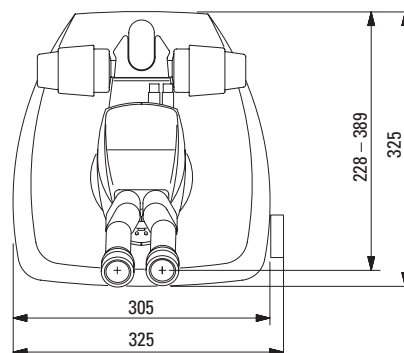
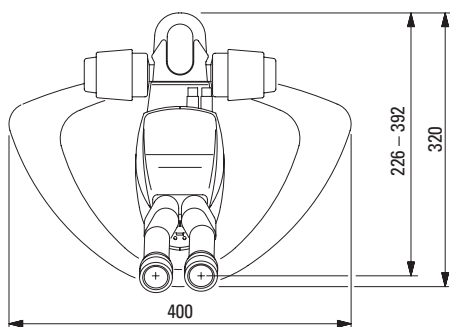
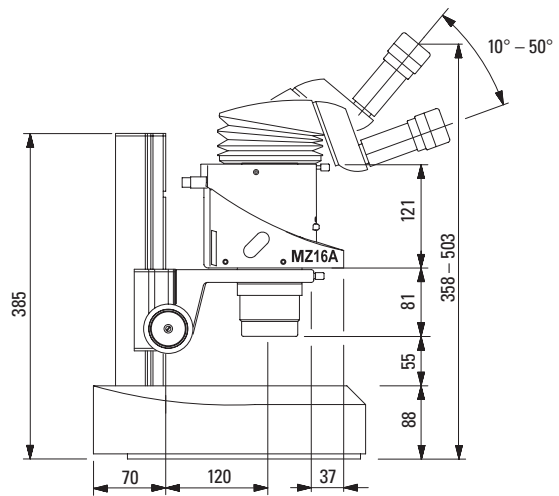
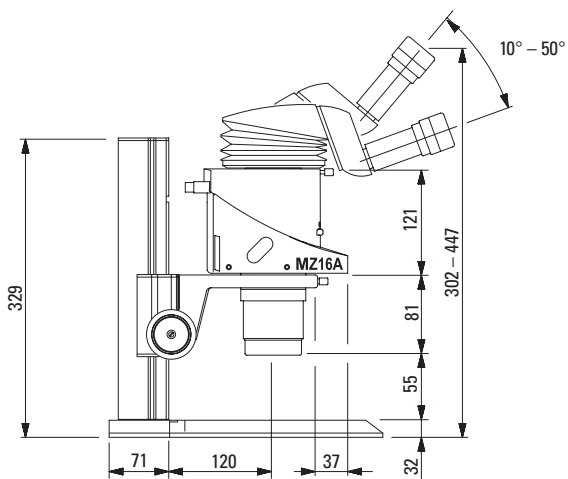
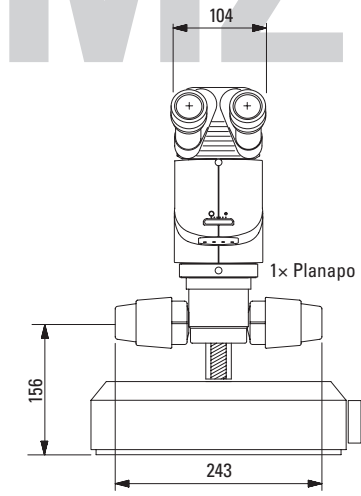
Dimensions of Leica MZ16 A

with incident-light stand



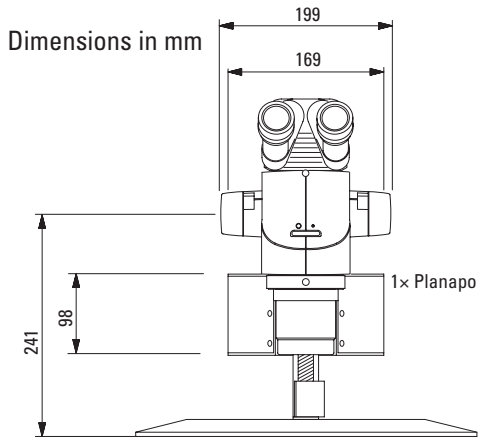
MZ16 A

with transmitted-light stand

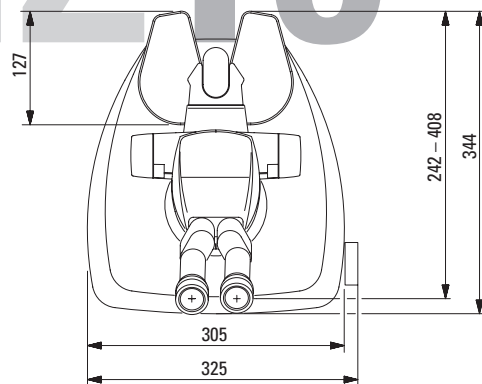
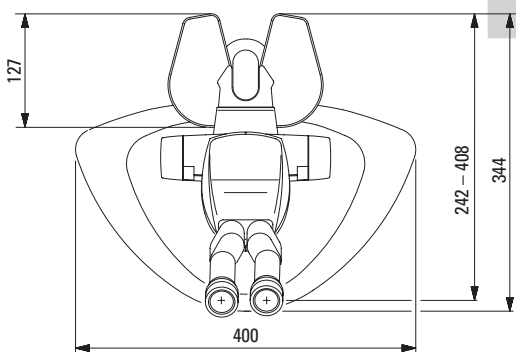
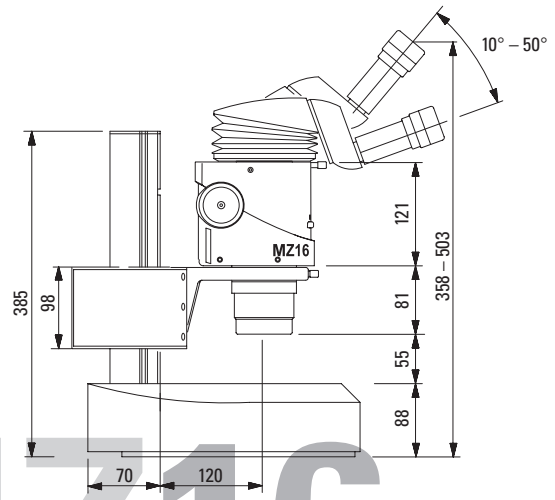
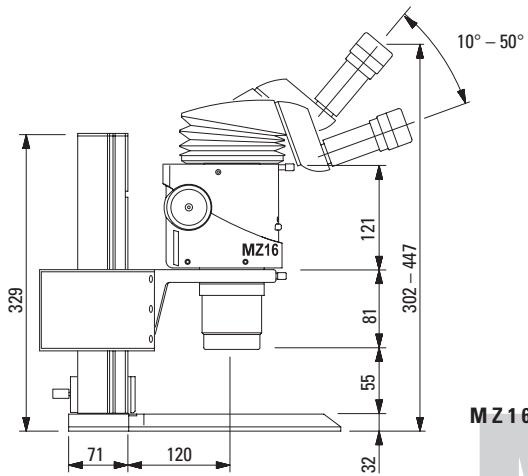
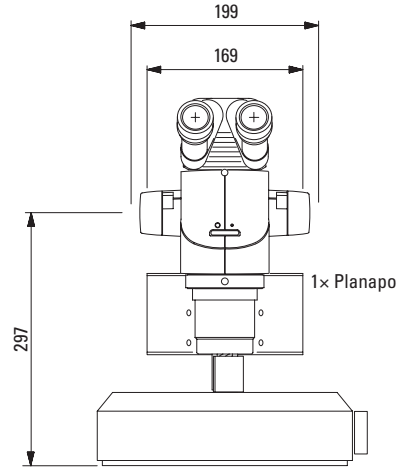


Dimensions of Leica MZ16 with motor focus

with incident-light stand

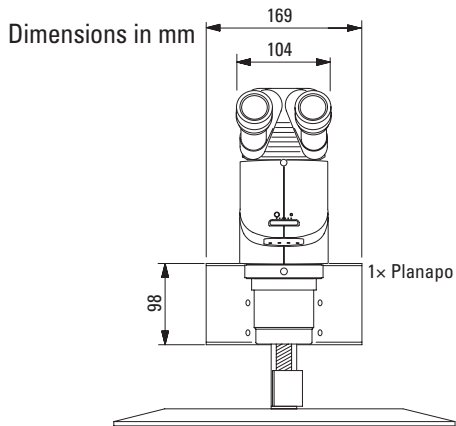


with transmitted-light stand

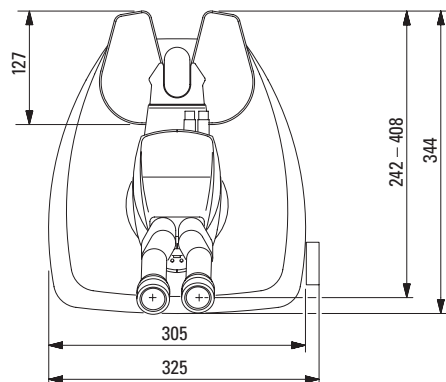
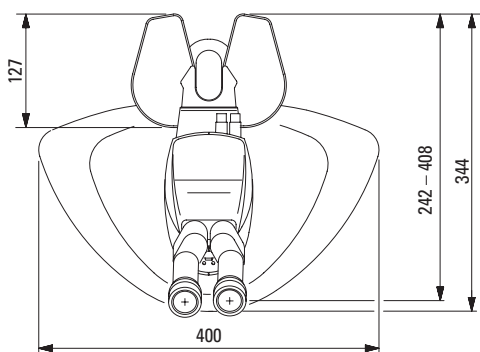
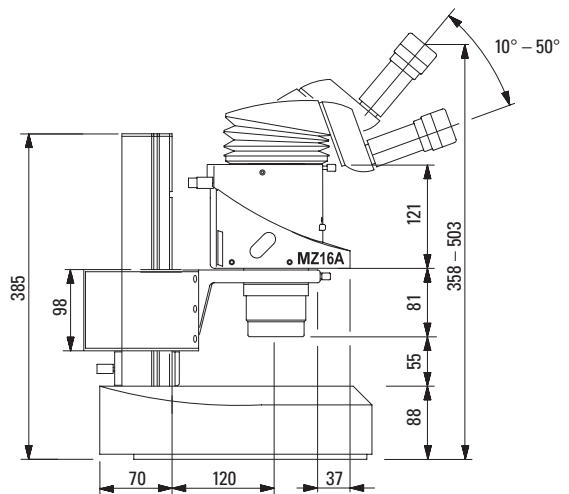
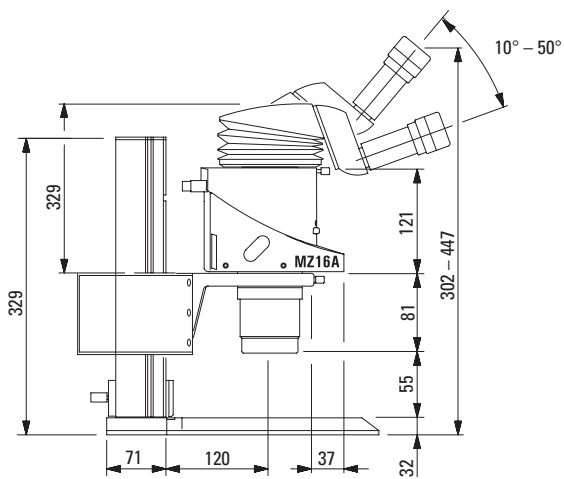
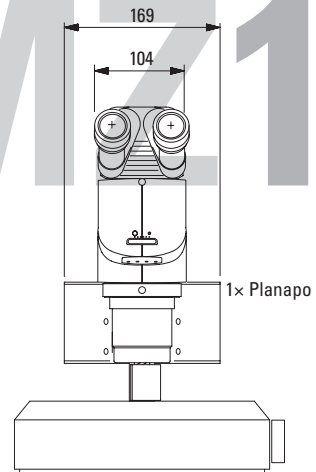
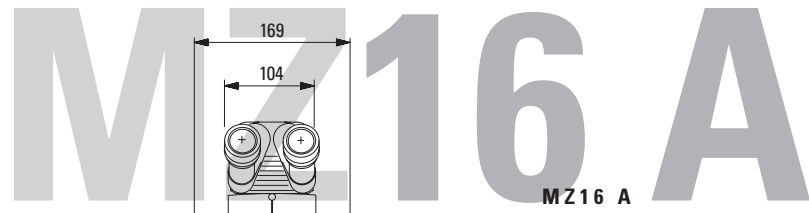


Dimensions of Leica MZ16 A with motor focus

with incident-light stand



with transmitted-light stand



Leica Microsystems – the brand for outstanding products

Information material

Leica MZ FLIII fluorescence stereomicroscope	M1-160-0en
Leica MZ16 & MZ16 A stereomicroscopes	M1-116-0en
Leica MZ12 _s stereomicroscope	M1-125-0en
Leica MZ9 _s stereomicroscope	M1-195-0en
Leica MZ7 _s stereomicroscope	M1-175-0en
Leica MS5, MZ6 stereomicroscopes	M1-141-0en
Leica M stereomicroscopes – The modular system	M1-105-4en
Leica DC digital imaging systems	M1-398-0en
Leica IM image management system	M1-522-0en
Leica IC A video module for Leica M stereomicroscopes	M1-393-1en
Leica ICC A video module for Leica microscopes	M1-393-2en
Leica MPS30 Photoautomat	M1-330-0en
Leica MPS60 Photoautomat	M1-360-0en
Leica ErgoModules™	M1-215-2en
Leica L2 cold-light source	M1-288-0en
Leica StereoZoom® Greenough stereomicroscopes	M1-188-0en
Leica M420 macroscope	M1-421-0en
Leica colposcope	M1-280-0en

Customer magazine "Resolution"

Leica Microsystems' Mission is to be the world's first-choice provider of innovative solutions to our customers' needs for vision, measurement, lithography and analysis of microstructures.

Leica, the leading brand for microscopes and scientific instruments, has developed from five brand names, all with a long tradition: Wild, Leitz, Reichert, Jung and Cambridge Instruments. Leica symbolizes not only tradition, but also innovation.

Leica Microsystems – an international company with a strong network of customer services

Australia:	Gladesville, NSW	Tel. +1 800 625 286	Fax +61 2 9817 8358
Austria:	Vienna	Tel. +43 1 486 80 50 0	Fax +43 1 486 80 50 30
Canada:	Richmond Hill/Ontario	Tel. +1 905 762 20 00	Fax +1 905 762 89 37
China:	Hong Kong	Tel. +8522 564 6699	Fax +8522 564 4163
Denmark:	Herlev	Tel. +45 44 5401 01	Fax +45 44 5401 11
France:	Rueil-Malmaison		
	Cédex	Tel. +33 1 4732 8585	Fax +33 1 4732 8586
Germany:	Bensheim	Tel. +49 6251 1360	Fax +49 6251 136 155
Italy:	Milan	Tel. +39 02 57 486 1	Fax +39 02 5740 3273
Japan:	Tokyo	Tel. +81 3 543 596 09	Fax +81 3 543 596 15
Korea:	Seoul	Tel. +82 2 514 6543	Fax +82 2 514 6548
Netherlands:	Rijswijk	Tel. +31 70 41 32 130	Fax +31 70 41 32 109
Portugal:	Lisbon	Tel. +35 1 213 889 112	Fax +35 1 213 854 668
Singapore:		Tel. +65 6 77 97 823	Fax +65 6 77 30 628
Spain:	Barcelona	Tel. +34 93 494 9530	Fax +34 93 494 9532
Sweden:	Sollentuna	Tel. +46 8 625 45 45	Fax +46 8 625 45 10
Switzerland:	Glattbrugg	Tel. +41 1 809 34 34	Fax +41 1 809 34 44
United Kingdom:	Milton Keynes	Tel. +44 1908 666 663	Fax +44 1908 609 992
USA:	Bannockburn/Illinois	Tel. +1 800 248 0123	Fax +1 847 405 0164

and representatives of Leica Microsystems in more than 100 countries.

The Business Units in Leica Microsystems hold the management system certificates for the international standards ISO 9001 and ISO 14001 relating to quality management, quality assurance and environmental management.

www.stereomicroscopy.com

Leica Microsystems (Switzerland) Ltd
Business Unit SM
CH-9435 Heerbrugg

Telephone +41 71 726 33 33
Fax +41 71 726 33 99
www.leica-microsystems.com
www.stereomicroscopy.com

Leica
MICROSYSTEMS